

6SHFLDO )RU '& \$& 5HFWLILHU %U

3,11,1\*

)HDWXUHV  
‡\*ODV D VVLY &KLSG FWLRQ  
‡5HYHURDWDJH 9  
‡)RUZDUG UHQW \$  
‡+LJXU &XUUHQW DELOLW\  
‡'HVLJQHGXURDRX \$S SOLFDWLRQ

%HQHILWV  
‡&DVH6%  
‡7HUPLGRGH3BH,OH7'  
‡5HGXFHG SRZHU ORVV DQG VZLW  
WUDQVLRU

0D[LPXP DWLQQGOHFWKEDDFWHULVWLFV

5DWLQVf &PEL MGHV SHUXDQXUMKHU\SLHFLILHG  
6LQJOH SKDVH KJ QIHZD VMLQYGH FORDYH DSDFLWEXHUOROV WH

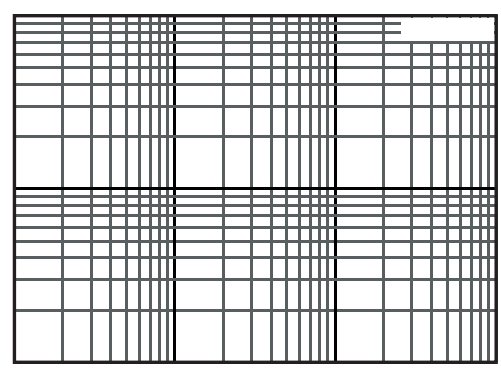
3DUDPHWHU	6\PEROV	8QLWV
0D[LPXP 5HSHWLWLYH 3HDN 5955	DUVH 9ROWDJH	9
0D[LPXP 506	YROWDJH 9506	9
0D[LPXP '& %ORFNLQJ	9ROWDJH &	9
\$YHUDJH 5HFWLILHG	2XWSXW &RUUHQW	\$
5HYHUVH 5HFRYHU\ 7LPH ,) \$ ,5 \$ ,55 \$	7UU	Q2PÀ PEG ( (+,
3HDN )RUZDUG 6XUJH &XUUHQW	PV 6LQJOH	\$
+DOI 6LQH :DYH 6XSHULPSRV, H60	RQ 5DWHG	
/RDG -('(& 0HWKRG		

UDWLQJ

06% ( 06% ( 5HY

5 \$ 7 , 1 \* 6 \$ 1 ' & + \$ 5 \$ & 7 ( 5 , 6 7 , & 6 & 7 8 5 9 ( 6 X Q O H V V R W K H U Z L V H Q R W H G

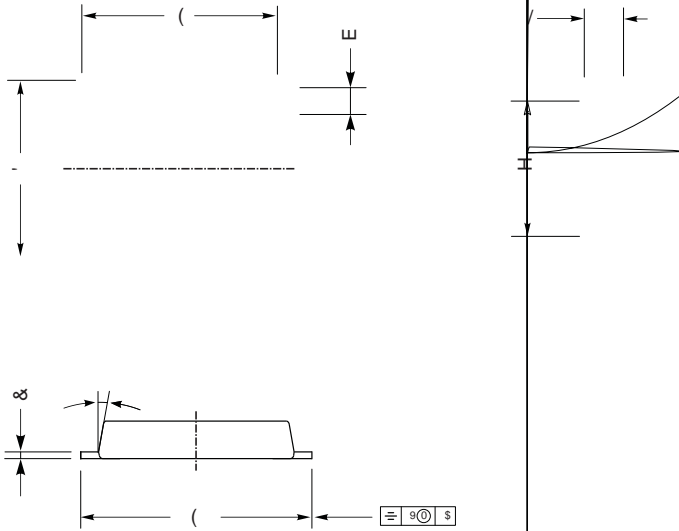
7 F & D V H 7 & P S  
Current Derating, Case



Typical Junction Capacitance

2  
9 5 5 H Y H U V H 9 R O W D J H 9 R O W V  
Typical Reverse Current

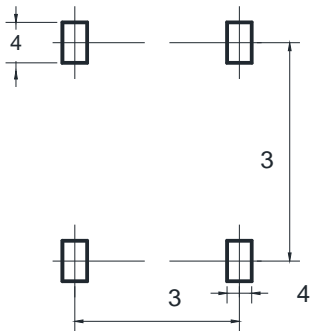
3 \$ & . \$ \* ( 2 8 7 / , 1 ( ' , 0 ( 1 6 , 2 1 6



0 6 % P H F K D Q L F W D

8 1 , 7		\$	&	'	(	(	/	H	E	
PP	PD[									f
	PLQ									
PLO	PD[									
	PLQ									

0 6 % 6 X J J H V W H G 3 D G / D \ R X W



8 1 , 7		3	3	4	4
PP	PLQ				
PLO	PLQ				

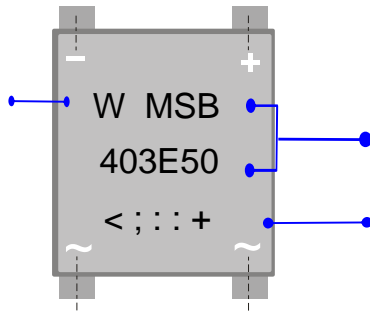
' L P H Q V I L R / Q P L O O L P H W H U V

06% (

06% (

0\$5

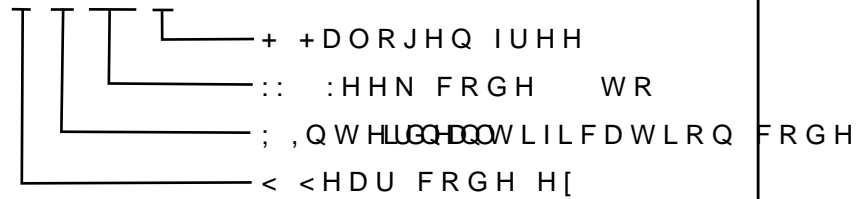
0DUNLQJ ,QIRUPDWLRQ



7Company Brand:W

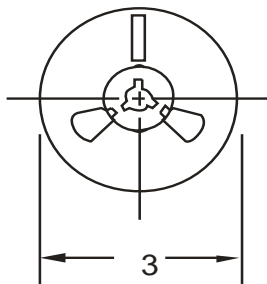
Úrod ~cc mod^| : MSB403E50 or MSB406E50

ÚÖÖ à}-or {æcio}

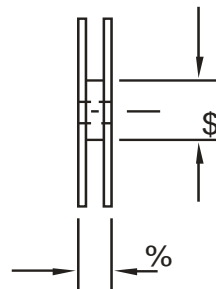


3DFNDJLQJ ,QIRUPDWLRQ

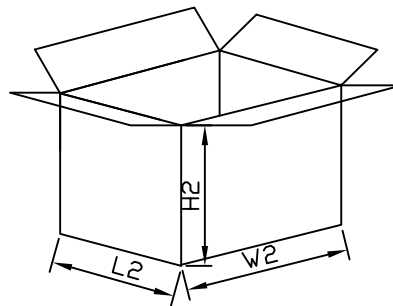
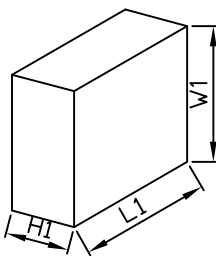
5HHO 'LPHQVLRQV



,QVLGH %R[



2XWVLGH %R[



3DFNDJLQJ ,QIRUPDWLRQ

12	81,	5HHO 'LPHQVLR			,QVLGH %R[			2XWVLGH %R[		
			\$	%	/	:	+	/	:	+
6L]H	PP				40	40	6			
47<	3&6	6PDOGSDVWBJH3&6 UHHOG			3&6 UHHORWDG			3&6 FDSJEPRQWRWDO		
1RWH		7ROHUDQFPP" PP			PP" PP			PP" PP		